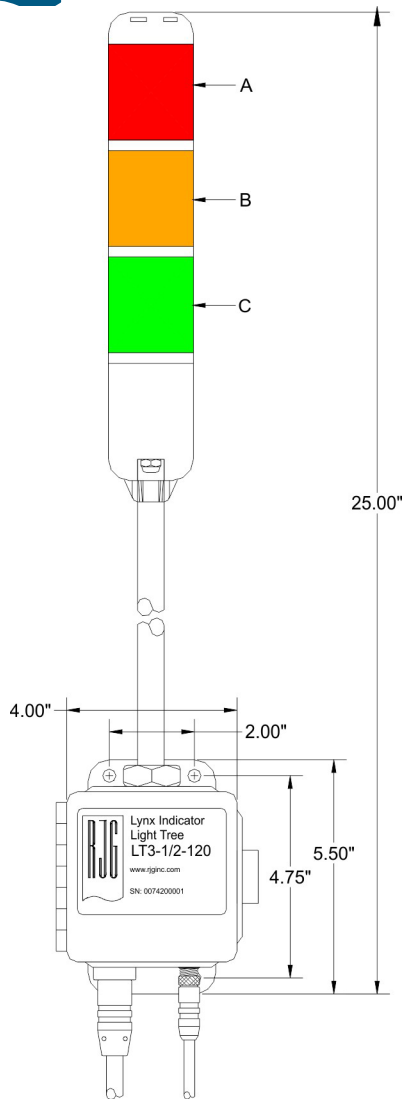




Lynx Indicator Light Trees

LT3-1/2-120 (120 VAC Version)



The LT-1/2-120 is a molding machine mountable Indicator Light Tree designed to be used with the *eDART™* System. The light tree works with the *eDART™* software to visually indicate if your process is running within limits.

The light tree can be mounted directly to the side of the molding machine using the box mounting holes (see figure to the left).

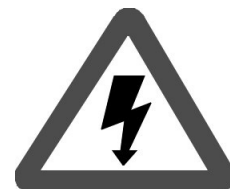
To power up the light tree, simply plug it into the *eDART™* System Lynx network and hook up the included power cable (see wiring table, below). The *eDART™* software will automatically detect the light tree. The lights are controlled based on the process limits set in the Alarm Settings or Process Match Meter tool in the software.

A	Red
B	Amber
C	Green

120 VAC Version	
Wire Color	Connection
Black	120 VAC
White	AC Common
Green	Earth

Technical Specifications	
Power to Lynx™ Connector (supplied by <i>eDART™</i>)	12 VDC
Current Draw from <i>eDART™</i>	50mA
Light Tree Power Draw	0.2A 110 VAC

CAUTION



Always power down before working on any equipment