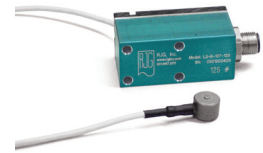




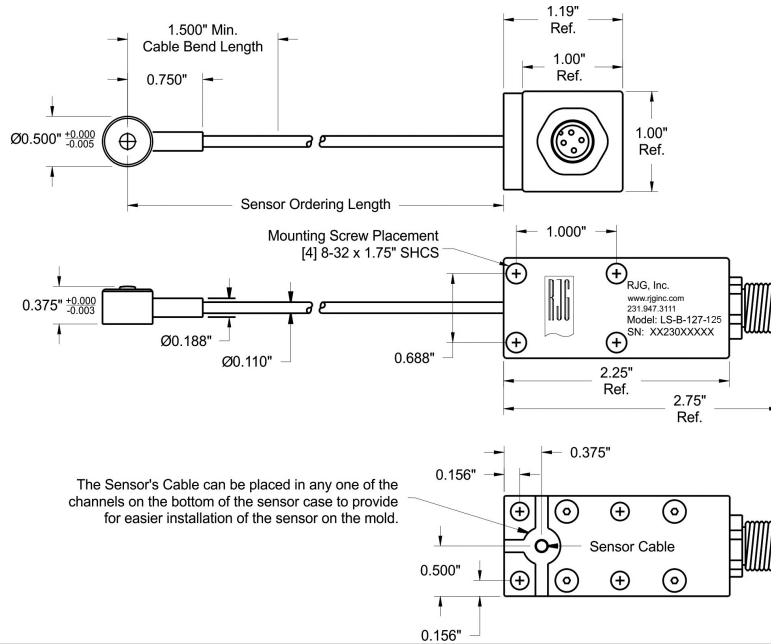
# Lynx™ 125 lb Button Style Cavity Pressure Sensor

LS-B-127-125

Lynx digital 125 lb indirect (under the pin) pressure sensor.



## Product Dimensions



	English	S.I.
Force Range	125 lb	556 N
Accuracy	< .5% Full Scale	< .5% Full Scale
Maximum Temperature - Standard Sensor	250 °F	121 °C
Maximum Temperature - Hi-Temp Sensor	425 °F	218 °C
Maximum Temperature - Case	140 °F	60 °C

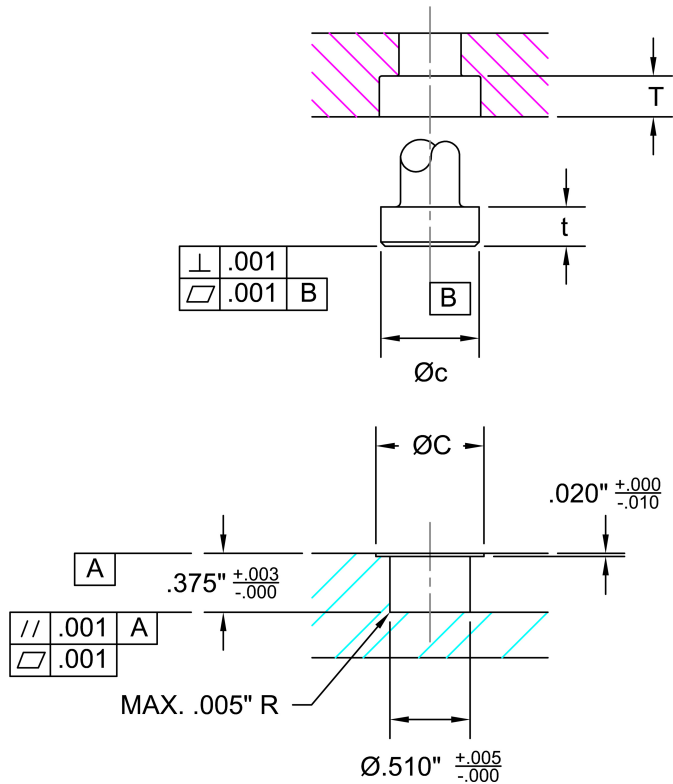
Appropriate Pressure/Load	Appropriate for Pin Sizes
Low Pressure Application (Neoprene, Silicone, etc.)	3/32", 1/8" 2.5 mm, 3.0 mm, 3.2 mm
Typical Thermoplastic Application (ABS, Polypropylene, etc.)	1/16" 1.5 mm, 2.0 mm

**RJG, INC.**

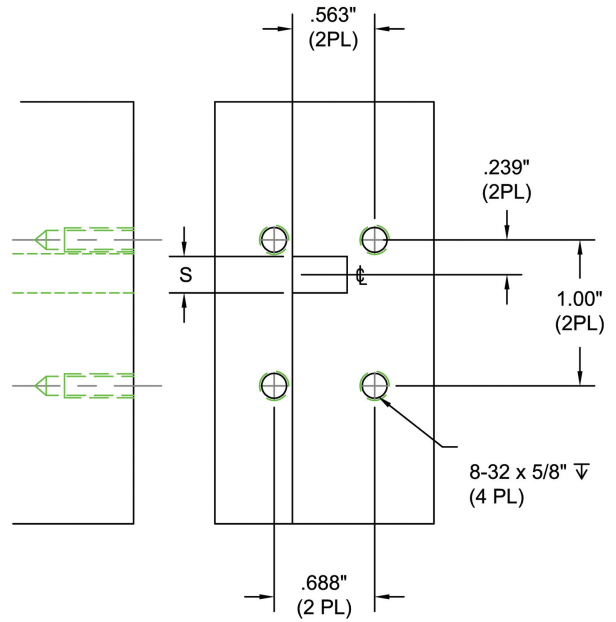
www.rjginc.com | 231-947-3111

**Installation Dimensions**

**Sensor Pocket and Ejection Pin Relief**



**Sensor Case Mounting**



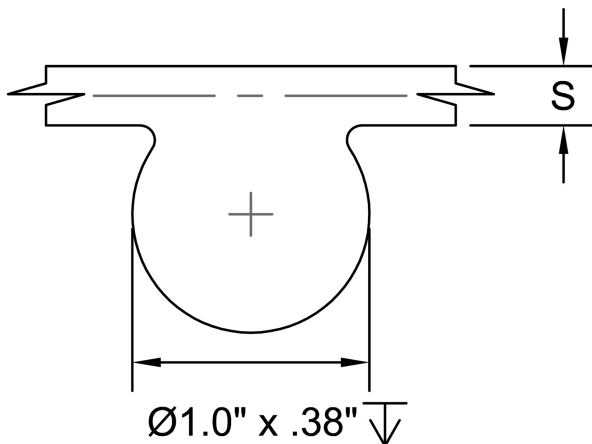
**Notes:**

$T = (t + .010'') \begin{smallmatrix} +.0.1'' \\ -.0.0'' \end{smallmatrix}$  Ejector Pin Head Clearance

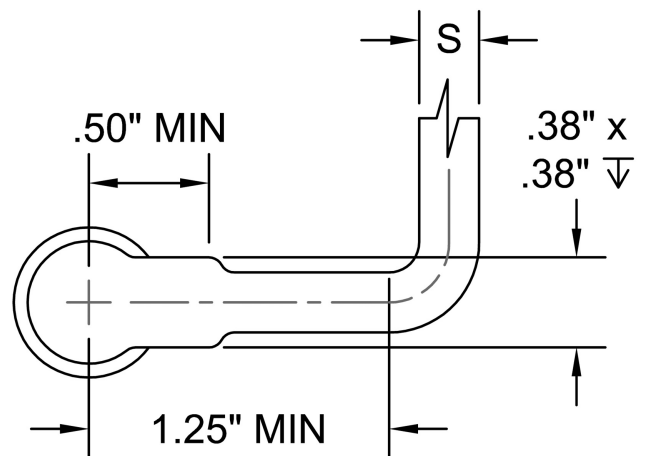
$C = (c + .125'') \begin{smallmatrix} +.0.5'' \\ -.0.0'' \end{smallmatrix}$  Counter Bore Clearance

Min 3" Clearance from Micro Connector

**Spare Wire Pocket**



**Sensor Cable Channel**



Pocket to store excess sensor wire cable (if necessary). 0.5" minimum internal turn radius for cable.

$S = .25''$  Wide Slot for Lead Wire