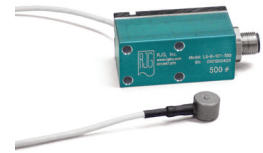




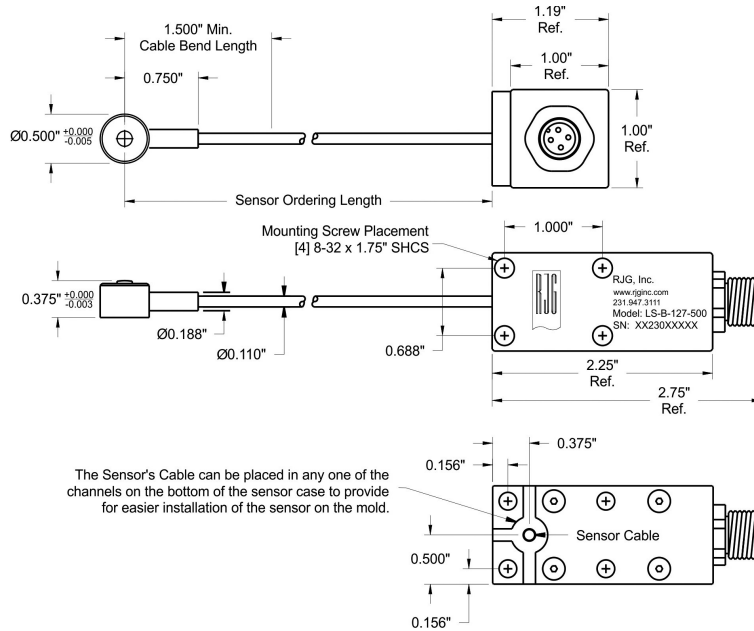
Lynx™ 500 lb Button Style Cavity Pressure Sensor

LS-B-127-500

Lynx digital 500 lb indirect (under the pin) pressure sensor.



Product Dimensions



	English	S.I.
Force Range	500 lb	2.2 kN
Accuracy	< .5% Full Scale	< .5% Full Scale
Maximum Temperature - Standard Sensor	250 °F	121 °C
Maximum Temperature - Hi-Temp Sensor	425 °F	218 °C
Maximum Temperature - Case	140 °F	60 °C

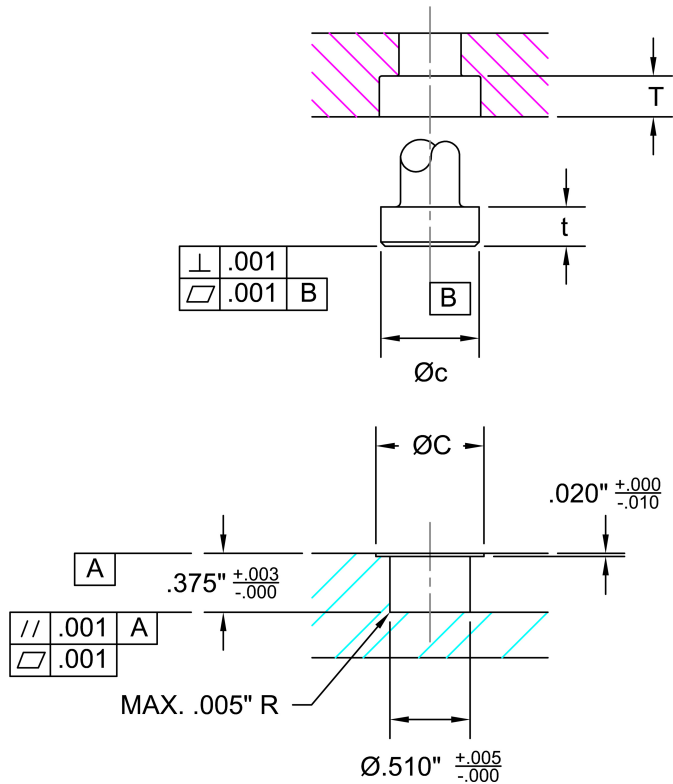
Appropriate Pressure/Load	Appropriate for Pin Sizes
Low Pressure Application (Neoprene, Silicone, etc.)	5/32", 3/16" 4.0 mm, 4.2 mm, 5.0 mm, 6.0 mm, 6.2 mm
Typical Thermoplastic Application (ABS, Polypropylene, etc.)	3/32", 1/8", 5/32" 2.5 mm, 3.0 mm, 3.2 mm, 4.0 mm, 4.2 mm

RJG, INC.

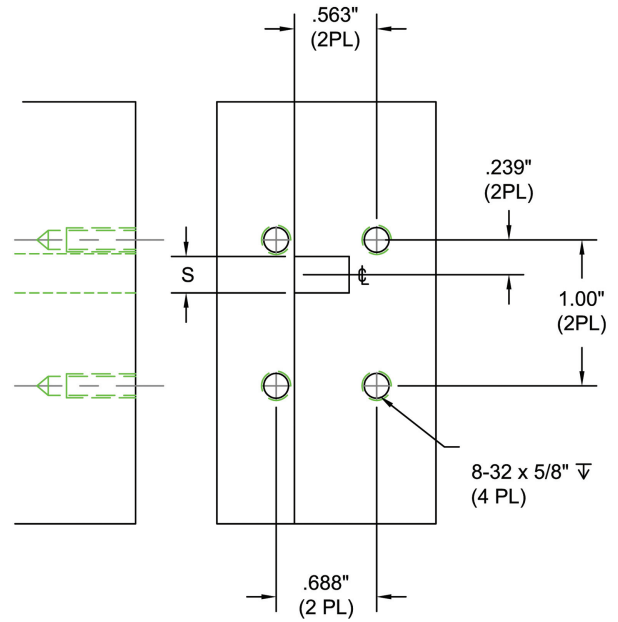
www.rjginc.com | 231-947-3111

Installation Dimensions

Sensor Pocket and Ejection Pin Relief



Sensor Case Mounting

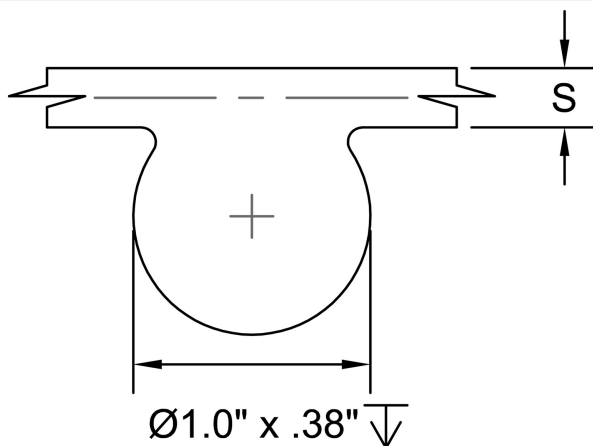


Notes:

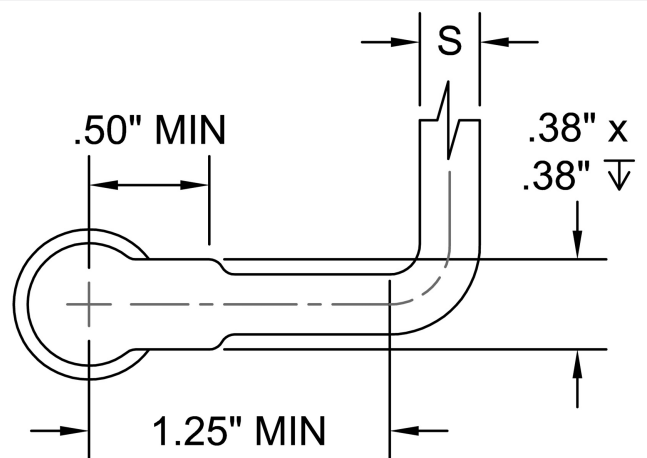
$T = (t + .010") \frac{+0.1"}{-0.0"}$ Ejector Pin Head Clearance
 $C = (c + .125") \frac{+0.5"}{-0.0"}$ Counter Bore Clearance

Min 3" Clearance from Micro Connector

Spare Wire Pocket



Sensor Cable Channel



Pocket to store excess sensor wire cable (if necessary). 0.5" minimum internal turn radius for cable.

$S = .25" \text{ Wide Slot for Lead Wire}$