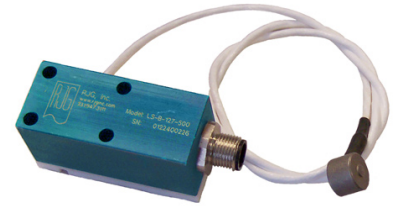




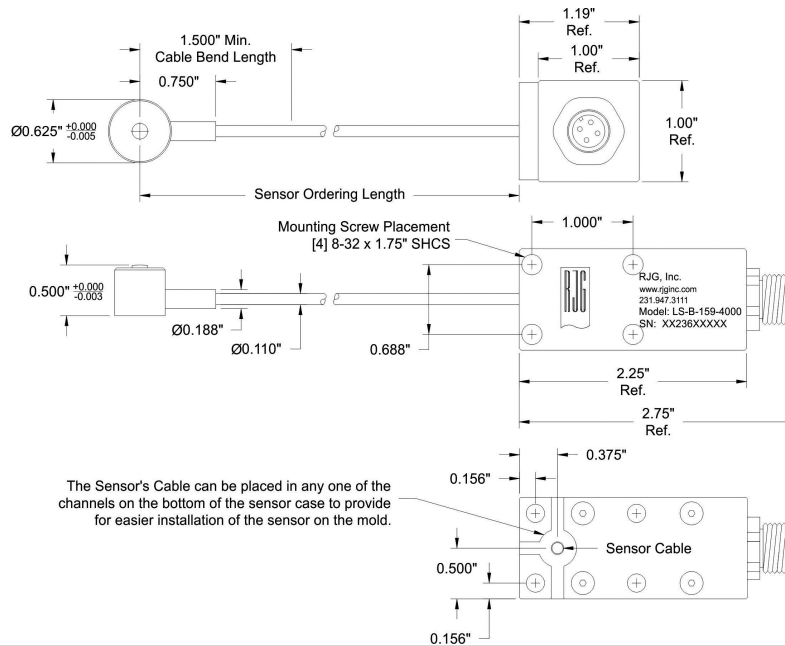
# Lynx 4000 lb Button Style Cavity Pressure Sensor

LS-B-159-4000

Lynx digital 4000 lb indirect (under the pin) pressure sensor.



## Product Dimensions



	English	S.I.
Force Range	4000 lb	17.8 kN
Accuracy	< .75% Full Scale	< .75% Full Scale
Maximum Temperature - Standard Sensor	250 °F	121 °C
Maximum Temperature - Hi-Temp Sensor	425 °F	218 °C
Maximum Temperature - Case	140 °F	60 °C

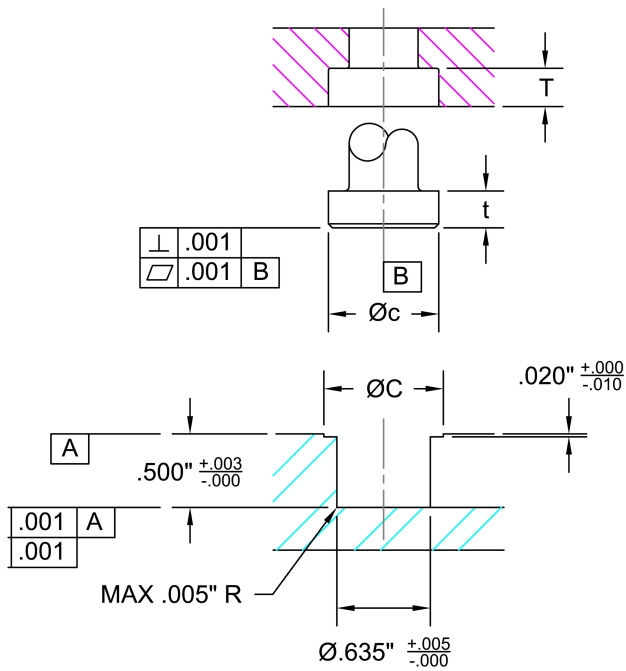
Appropriate Pressure/Load	Appropriate for Pin Sizes
Low Pressure Application (Neoprene, Silicone, etc.)	1 1/16", 3/4", 7/8" 18.0 mm, 20.0 mm
Typical Thermoplastic Application (ABS, Polypropylene, etc.)	13/32", 7/16", 1/2", 9/16", 5/8", 11/16", 10.0 mm, 12.0 mm, 14.0 mm, 16.0 mm

**RJG, INC.**

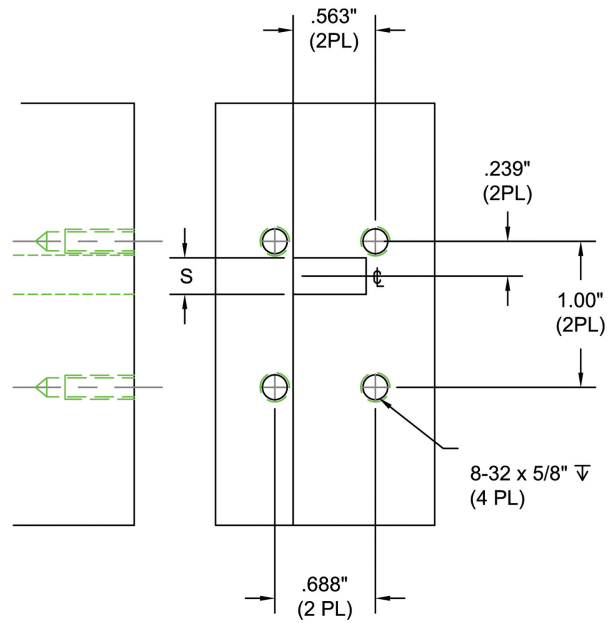
www.rjginc.com | 231-947-3111

**Installation Dimensions**

**Sensor Pocket and Ejection Pin Relief**



**Sensor Case Mounting**



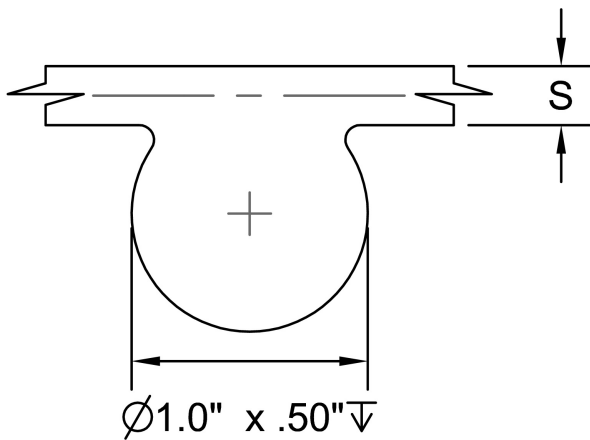
**Notes:**

$T = (t + .010") \frac{+0.1"}{-0.0"} \text{ Ejector Pin Head Clearance}$

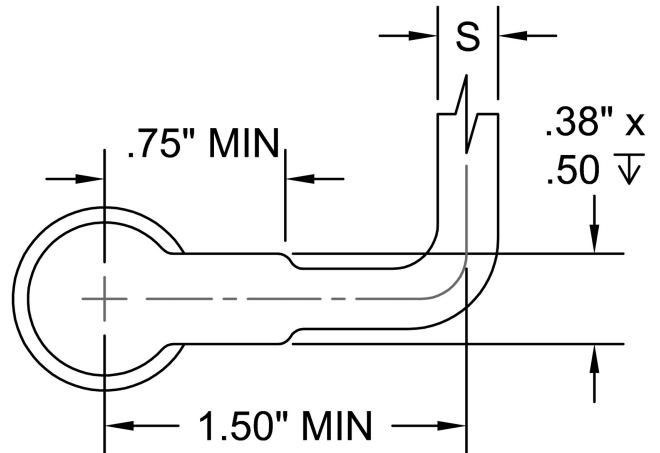
$C = (c + .125") \frac{+0.5"}{-0.0"} \text{ Counter Bore Clearance}$

Min 3" Clearance from Micro Connector

**Spare Wire Pocket**



**Sensor Cable Channel**



Pocket to store excess sensor wire cable (if necessary). 0.5" minimum internal turn radius for cable.

S = .25" Wide Slot for Lead Wire