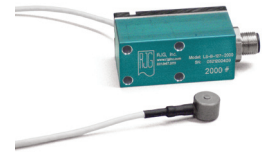




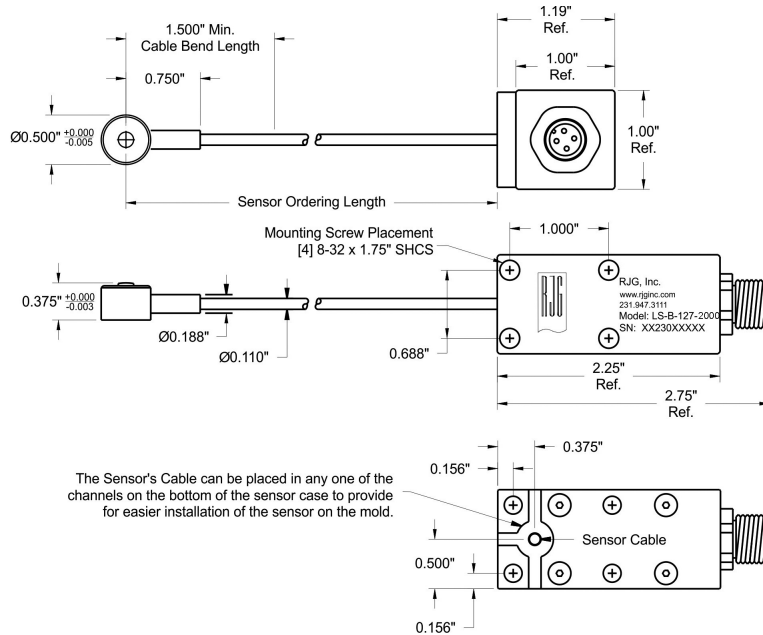
Lynx™ 2000 lb Button Style Cavity Pressure Sensor

LS-B-127-2000

Lynx digital 2000 lb indirect (under the pin) pressure sensor.



Product Dimensions



	English	S.I.
Force Range	2000 lb	8.9 kN
Accuracy	< .5% Full Scale	< .5% Full Scale
Maximum Temperature - Standard Sensor	250 °F	121 °C
Maximum Temperature - Hi-Temp Sensor	425 °F	218 °C
Maximum Temperature - Case	140 °F	60 °C

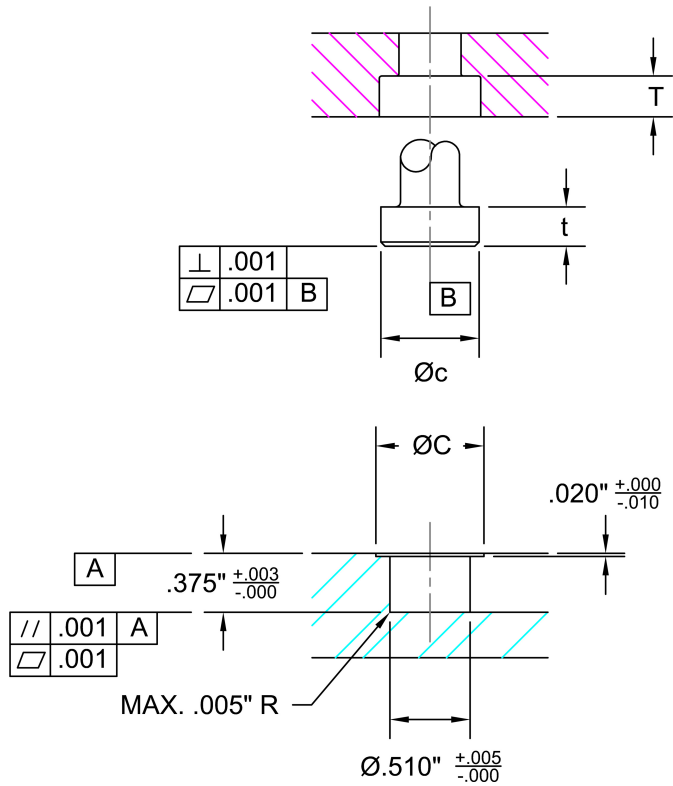
Appropriate Pressure/Load	Appropriate for Pin Sizes
Low Pressure Application (Neoprene, Silicone, etc.)	1/4", 5/16", 3/8", 7/16", 1/2" 5/8" 8.0 mm, 8.2 mm, 10.0 mm, 12.0 mm, 14.0 mm, 16.0 mm
Typical Thermoplastic Application (ABS, Polypropylene, etc.)	3/16", 1/4", 5/16", " 3/8" 5.0 mm, 6.0 mm, 6.2 mm, 8.0 mm, 8.2 mm

RJG, INC.

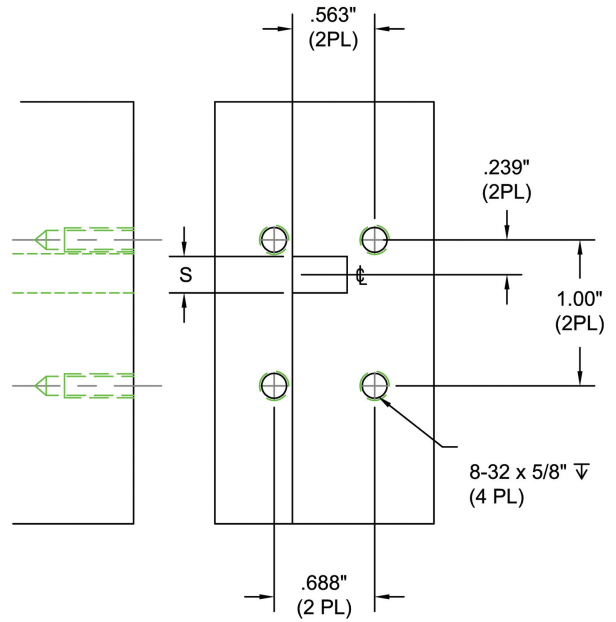
www.rjginc.com | 231-947-3111

Installation Dimensions

Sensor Pocket and Ejection Pin Relief



Sensor Case Mounting

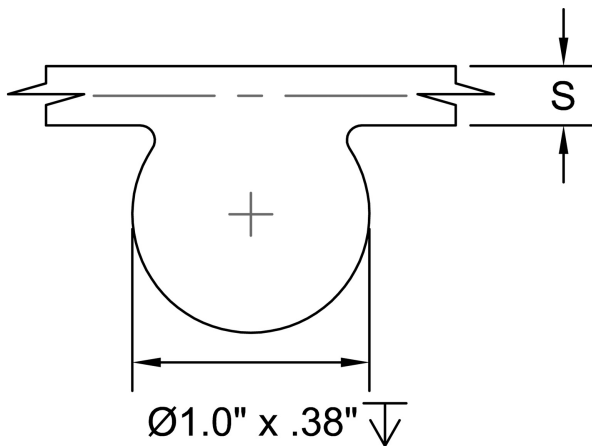


Notes:

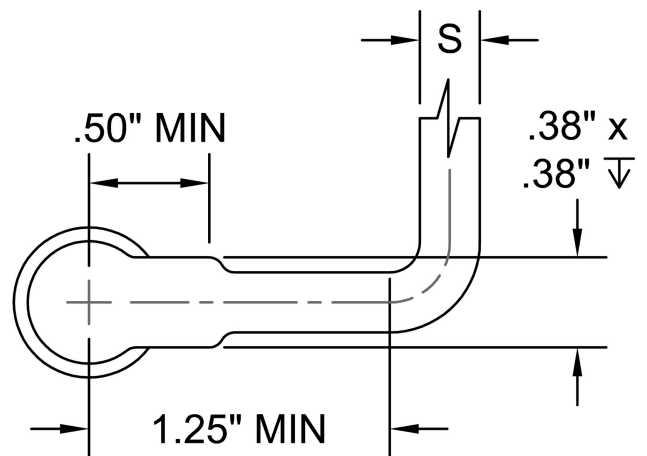
$T = (t + .010")^{+.01"}_{-.00"} Ejector Pin Head Clearance$
 $C = (c + .125")^{+.05"}_{-.00"} Counter Bore Clearance$

Min 3" Clearance from Micro Connector

Spare Wire Pocket



Sensor Cable Channel



Pocket to store excess sensor wire cable (if necessary). 0.5" minimum internal turn radius for cable.

$S = .25" Wide Slot for Lead Wire$